

CD AUTO CHANGER

# KDC-CX85/CPS85

## SERVICE MANUAL

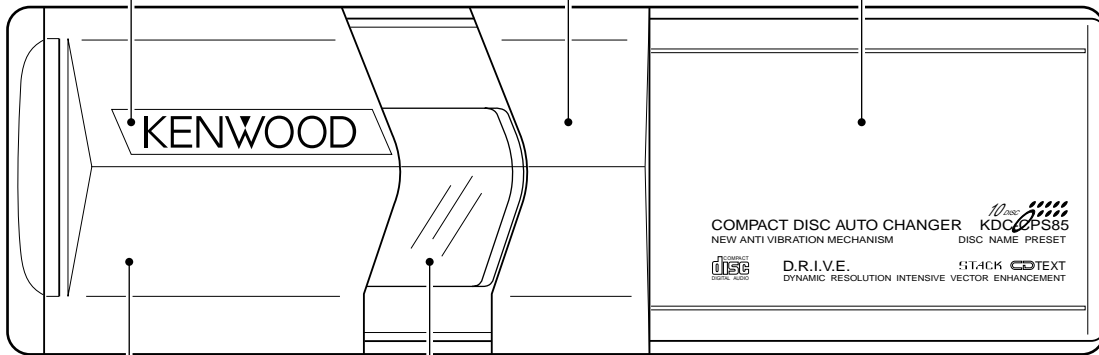
# KENWOOD

© 1999-11 PRINTED IN JAPAN  
B51-7552-00 (N) 3444

BADGE  
CX85 : (B43-1238-04)  
CPS85: (B43-1237-04)

DRESSING PANEL  
CX85 : (A21-3538-12)  
CPS85: (A21-3545-12)

PANEL  
CX85 : (A64-1991-01)  
CPS85: (A64-1993-01)

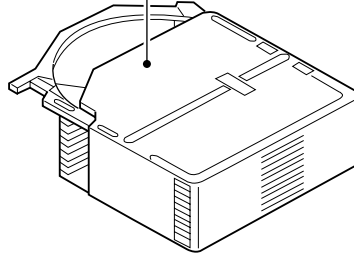
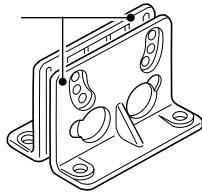


DRESSING PANEL  
CX85 : (A21-3535-12)  
CPS85: (A21-3544-12)

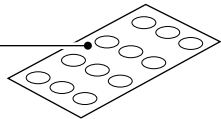
FRONT GLASS  
CX85 : (B10-3076-04)  
CPS85: (B10-2997-04)

HOLDER ASSY (MAGAZINE)  
(J19-4676-52)

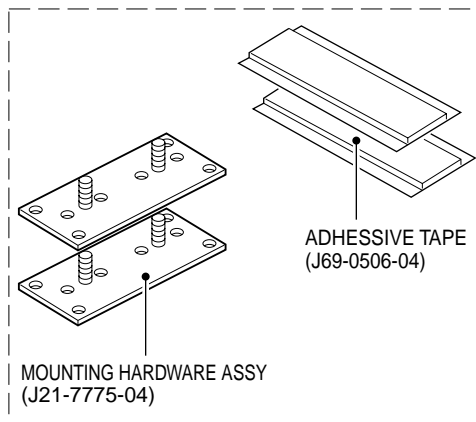
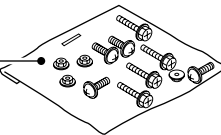
BRACKET  
(J19-4712-13)



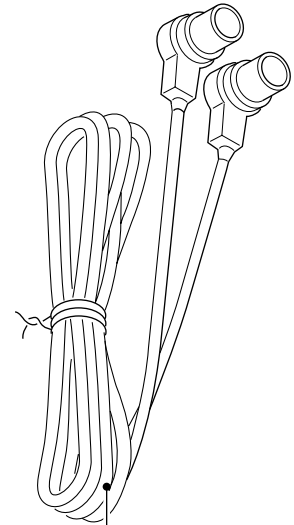
BLIND PLATE  
(F19-1303-04)



SCREW SET  
K/E TYPE:  
(N99-1645-15)  
M TYPE:  
(N99-1628-15)



M TYPE ONLY



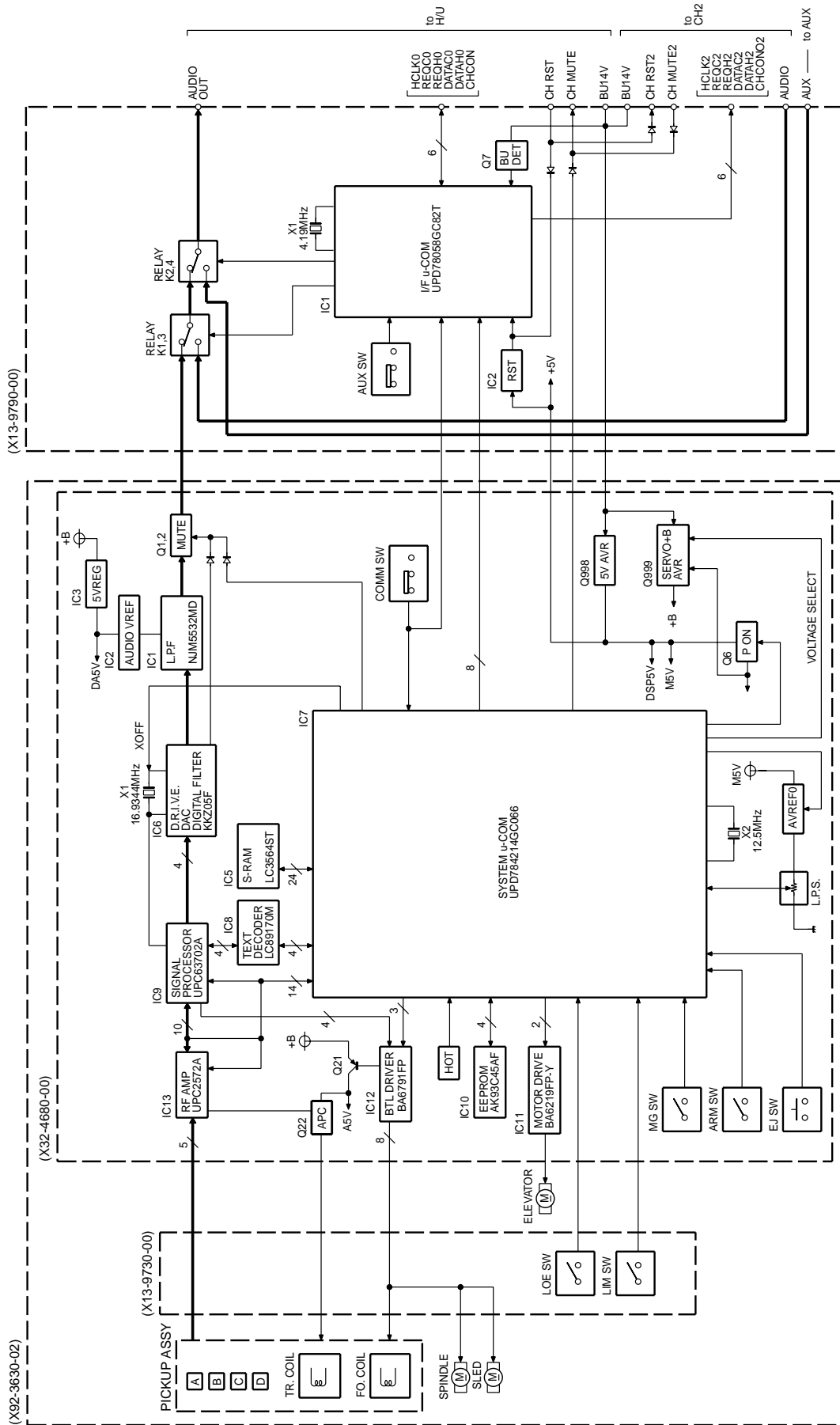
CORD WITH PLUG  
(E30-4138-05)

The MECHANISM OPERATION is the same as model KDC-C710.  
Please refer to the service manual of model KDC-C710(B51-7104-00).



# KDC-CX85/CPS85

## BLOCK DIAGRAM



# KDC-CX85/CPS85

## MICROCOMPUTER'S TERMINAL DESCRIPTION

●UPD 7805GCB82T : IC1 (X13-9790-00)

Pin	Pin Name	I/O	Function	Description	Processing Operation
1	P15/AN15	O		Not used.	
2	P16/AN16	O		Not used.	
3	P17/AN17	O		Not used.	
4	AVss	-		A/D converter reference ground terminal	
5	P130/ANO0	O	RSTOUT	Reset output	H: Reset
6	P131/ANO1	O	REQH1	Communication request output to CH1	L: Request
7	AVref1	I	AVref1	A/D converter reference power terminal	
8	P70/SI2/RXD	I	DATA1	Data input from CH1	
9	P71/SO2/TXD	O	DATAH1	Data output to CH1	
10	P72/SCK2/ASCK	I/O	HCLK1	Communication clock input/output to/from CH1	
11	P20/SI1	I	DATAH0	Data input from H/U	
12	P21/SO1	O	DATA1	Data output to H/U	
13	P22/SCK1	I/O	HCLK0	Communication clock input/output to/from H/U	
14	P23/STB	O	REQC0	Communication request output to H/U	L: Communication request
15	P24/BUSY	O	REQH2	Communication request output to CH2	L: Communication request
16	P25/SI0/SB0/SDA0	I	DATA2	Data input from CH2	
17	P26/SO0/SB1/SDA1	O	DATAH2	Data output to CH2	
18	P27/SCK0/SCL	I/O	HCLK2	Communication clock input/output to/from CH2	
19	P40/AD0	O	CHCONO1	Control output to CH1	H: CH1 control output
20	P41/AD1	O	CHCONO2	Control output to CH2	H: CH2 control output
21	P42/AD2	O	RELAY1	Control output to RELAY1	H: AUX L: CH1
22	P43/AD3	O	RELAY2	Control output to RELAY2	H: CH2 L: CH1
23	P44/AD4	O	MSTOP	BU instant dip detection output to CH1	H: BU instant dip detection output
24	P45/AD5	O		Not used.	
25	P46/AD6	O		Not used.	
26	P47/AD7	O		Not used.	
27	P50/A8	O		Not used.	
28	P51/A9	O		Not used.	
29	P52/A10	O		Not used.	
30	P53/A11	O		Not used.	
31	P54/A12	O		Not used.	
32	P55/A13	O		Not used.	
33	VSS	-	VSS	Connected to GND.	
34	P56/A14	O		Not used.	
35	P57/A15	O		Not used.	
36	P60	O		Not used.	
37	P61	O		Not used.	
38	P62	O		Not used.	
39	P63	O		Not used.	
40	P64	O		Not used.	

# KDC-CX85/CPS85

## MICROCOMPUTER'S TERMINAL DESCRIPTION

Pin	Pin Name	I/O	Function	Description	Processing Operation
41	P65	O		Not used.	
42	P66	O		Not used.	
43	P67	O		Not used.	
44	P30	O		Not used.	
45	P31	O		Not used.	
46	P32	O		Not used.	
47	P33	O		Not used.	
48	P34	O		Not used.	
49	P35	O		Not used.	
50	P36	O		Not used.	
51	P37	O		Not used.	
52	P120/RTP0	O		Not used.	
53	P121/RTP1	O		Not used.	
54	P122/RTP2	O		Not used.	
55	P123/RTP3	O		Not used.	
56	P124/RTP4	O		Not used.	
57	P125/RTP5	O		Not used.	
58	P126/RTP6	O		Not used.	
59	P127/RTP7	O		Not used.	
60	RESET	I	RESET	RESET	L:RESET
61	P00/INTP0/TI00	I	REQC2	Communication request input from CH2	L: Communication request
62	P01/INTP1/TI01	I	BUDET	BU instant dip detection input	H: BU instant dip detection
63	P02/INTP2	I	AUX SW	External input switch	H: External input
64	P03/INTP3	I	REQH0	Communication request input form H/U	L: Communication request
65	P04/INTP4	I	REQC1	Communication request input from CH1	L: Communication request
66	P05/INTP5	I	CHCON1	CH1 control input from H/U	L: Control on CH1
67	P06/INTP6	I	COMMSW	5-line communication old/new selection swtcih	H: New communication L: Old communication
68	Vdd	-	VDD	Positive power voltage	
69	X2	-	X2	Oscillator connection terminal	
70	X1	I	X1	Oscillator connection terminal	
71	IC(Vpp)	-	IC	Internal connection terminal	
72	XT2	-	XT2		
73	XT1/P07	I	CHCON2	CH2 control input from H/U	L: Control on CH2
74	Avdd	-	AVDD	A/D analog power voltage	
75	AVref0	I	AVREF0	A/D reference voltage input	
76	P10/ANI0	O		Not used.	
77	P11/ANI1	O		Not used.	
78	P12/ANI2	O		Not used.	
79	P13/ANI3	O		Not used.	
80	P14/ANI4	O		Not used.	

# KDC-CX85/CPS85

## MICROCOMPUTER'S TERMINAL DESCRIPTION

●UPD 784214GC-066 : IC7 (X32-4680-00)

Pin	Pin Name	I/O	Function	Description	Processing Operation
1	P120/RTP0	O	LDON	Pickup laser ON	H: Laser ON
2	P121/RTP1	O	TBCO	Tracking filter coefficient switching signal output	H: Gain-up mode
3	P122/RTP2	I	TBCI	Tracking filter coefficient switching signal input	H: Gain-up mode
4	P123/RTP3	I	RFOK	Focus ON status signal input	H: Focus ON
5	P124/RTP4	O	XOFF	Servo IC oscillation stop control	H: Oscillatin stop
6	P125/RTP5	O	RST	Servo IC reset terminal	L: Reset
7	P126/RTP6	O	SAO	Servo IC address setting	
8	P127/RTP7	O	SSTB	Servo IC communication strobe	
9	VDD	-	VDD	Positive power voltage connection terminal	
10	X2	-	X2	Oscillator connection terminal 2	
11	X1	I	X1	Oscillator connection terminal 1	
12	VSS		VSS	GND potential connection	
13	XT2		XT2	Subclock connection terminal 2	
14	XT1		XT1	Subclock connection terminal 1	
15	RESET	I	RESET	Reset	
16	P00/INTP1	I	SBSY	Sub-code Q read timing detection terminal	
17	P01/INTP2	I	MGSW	Magazine switch	H: Magazine in
18	P02/INTP2	I	EJSW	Eject switch	H: Swtich ON
19	P03/INTP3	I	COMMSW	5-line communicatin old/new swtich	H: New communication L: Old communication
20	P04/INTP4	I	DQSY	Text data read permission signal input	
21	P05/INTP5	I	CHCON	Changer control input from H/U	
22	P06/INTP6	I	BUDET	BU instant dip detection terminal	
23	AVDD	-	AVDD	A/D converter analog power terminal	
24	AVREF0	I	AVREF0	AD converter reference voltage input	
25	P10/ANI0	I	HOT	Rise in temperature detection	
26	P11/ANI1	I	LPS	Mechanical deck position detection	
27	P12/ANI2	I	LOESW	Loading compete switch	L: Loading complete
28	P13/ANI3	I	LIMSW	Limit switch	L: Pickup detection of innermost track
29	P14/ANI4	I	TYPE0	For test mode	
30	P15/ANI5	I	TYPE1	For test mode	
31	P16/ANI6	I	SLG1	For setting thread loop gain	
32	P17/ANI7	I	SLG2	For setting thread loop gain	
33	AVSS	-	AVSS	A/D converter reference GND terminal	
34	P130/ANO0	O	LPSCO	A/D converter reference power control	
35	P131/ANO1	O	AMUTE	Audio mute	L: Mute ON
36	AVREF1	-	AVREF1	A/D converter reference power terminal	
37	P70/RxD2/SO2	I	SDI	Servo IC communication serial data input	
38	P71/TxD2/SO2	O	SDO	Servo IC communication serial data output	
39	P72/ASCK2/SCK2	O	SCK	Servo IC communication serial clock output	
40	P20/RxD1/SI1	I	DATAH	Data input from H/U	

# KDC-CX85/CPS85

## MICROCOMPUTER'S TERMINAL DESCRIPTION

Pin	Pin Name	I/O	Function	Description	Processing Operation
41	P21/TxD1/SO1	O	DATA C	Data output from the changer	
42	P22/ASCK1/SCK1	I/O	HCLK	Communication clock input from H/U	
43	P23/PCL	O	REQC	Communication request to H/U	
44	P24/BUZ	O	CHMUTE	Audio mute output to H/U	L: Mute ON
45	P25/SI0/SDA0	I	TXTDATA	Text data input	
46	P26/SO0	O		Not used.	
47	P27/SCK0/SCL0	O	TXTCLK	Text clock output	
48	P80/A0	O	A0	Address setting terminal for S-RAM	
49	P81/A1	O	A1	Address setting terminal for S-RAM	
50	P82/A2	O	A2	Address setting terminal for S-RAM	
51	P83/A3	O	A3	Address setting terminal for S-RAM	
52	P84/A4	O	A4	Address setting terminal for S-RAM	
53	P85/A5	O	A5	Address setting terminal for S-RAM	
54	P86/A6	O	A6	Address setting terminal for S-RAM	
55	P87/A7	O	A7	Address setting terminal for S-RAM	
56	P40/AD0	I/O	D0	Data input/output terminal with S-RAM	
57	P41/AD1	I/O	D1	Data input/output terminal with S-RAM	
58	P42/AD2	I/O	D2	Data input/output terminal with S-RAM	
59	P43/AD3	I/O	D3	Data input/output terminal with S-RAM	
60	P44/AD4	I/O	D4	Data input/output terminal with S-RAM	
61	P45/AD5	I/O	D5	Data input/output terminal with S-RAM	
62	P46/AD6	I/O	D6	Data input/output terminal with S-RAM	
63	P47/AD7	I/O	D7	Data input/output terminal with S-RAM	
64	P50/A8	O	A8	Address setting terminal for S-RAM	
65	P51/A9	O	A9	Address setting terminal for S-RAM	
66	P52/A10	O	A10	Address setting terminal for S-RAM	
67	P53/A11	O	A11	Address setting terminal for S-RAM	
68	P54/A12	O	A12	Address setting terminal for S-RAM	
69	P55/A13	O	A13	Address setting terminal for S-RAM	
70	P56/A14	O	A14	Address setting terminal for S-RAM	
71	P57/A15	O	A15	Address setting terminal for S-RAM	
72	VSS	-	VSS	Ground potential connection terminal	
73	P60/A16	O	A16	Enable control terminal for S-RAM	
74	P61/A17	O	A17	Enable control terminal for S-RAM	
75	P62/A18	O	RAMOK	RAM check judging terminal for production	
76	P63/A19	I	ELVADJ	Mechanism deck ascent/descent position adjustment mode	L: Adjustment mode
77	P64/RD	O	RD	Read-out to S-RAM control output	
78	P65/WR	O	WR	Write to S-RAM control output	
79	P66/WAIT	I	WAIT	Insertion of weight when accessing S-RAM	
80	P67/ASTB	O	ASTB	Chip selection to S-RAM	

# KDC-CX85/CPS85

## MICROCOMPUTER'S TERMINAL DESCRIPTION

Pin	Pin Name	I/O	Function	Description	Processing Operation
81	VDD	-	VDD	Positive power voltage connection terminal	
82	P100/TI5/TO5	I	RAMTEST	Production RAM check mode	
83	P101/TI6/TO6	I	REQH	Communication request from H/U	
84	P102/TI7/TO7	O	SP/LO+	Spindle/Loading control terminal+	
85	P103/TI8/TO8	O	SP/LO-	Spindle/Loading control terminal -	
86	P30/TO0	O	ELV+	Mechanism deck ascent/descent terminal +	
87	P31/TO1	O	ELV-	Mechanism deck ascent/descent terminal -	
88	P32/TO2	I	EDI	EEPROM data input	
89	P33/TI1	O	EDO	EEPROM data output	
90	P34/TI2	O	ECLK	EEPROM clock output	
91	P35/TI00	O	ECS	EEPROM chip selection output	
92	P36/TI01	O	8V/7V	Mechanism movement driver IC power voltage control	
93	P37	I	ADJSEL	Servo automatic adjustment ON/OFF terminal	L: Servo automatic adjustment ON
94	TEST/VPP	I	TEST/VPP	Flash ROM program mode	
95	P90	I	SRVSEL	Servo active mode (no mechanism movement)	H: Servo mode
96	P91	I	SLNSA	Thread non-sansitive area ON/OFF terminal	L: Thread non-sensitive area
97	P92	I	TEST1	For test mode	
98	P93	I	TEST2	For test mode	
99	P94	O	PON	PON output	L: AVR power ON
100	P95	I	ARMSW	Arm switch	H: Arm switch ON

# KDC-CX85/CPS85

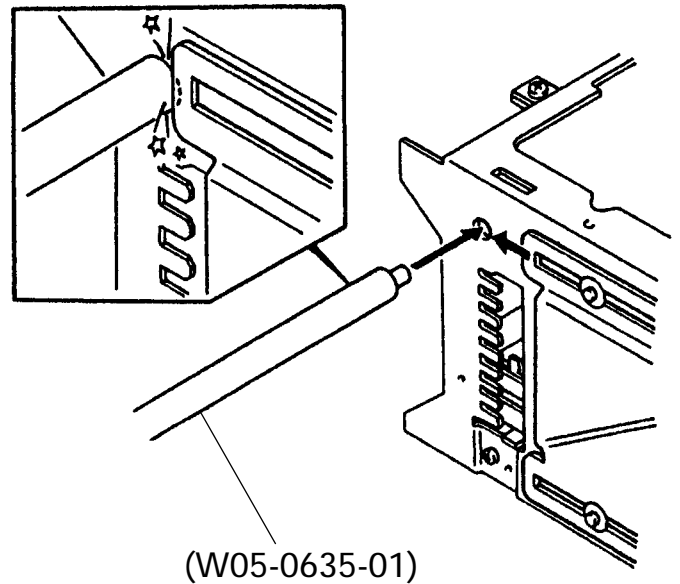
## ADJUSTMENT

### LPS initial position adjustment procedure

Connect the changer to the H/U. While holding the magazine eject button of the changer, press the reset button of the H/U and, in about 1 second, release the magazine eject button. Press the CD button of the H/U to enter the **E-88** mode. Move the mechanism deck to around the 1st stage by pressing the **DISC-** or **DISC+** button.

Insert the adjustment tool into the tool hole on the changer mechanism. Then press the **DISC+** button to move the mechanism deck until the mechanism's slider hits the adjustment tool. When the motor locks(stops) press the **REPEAT** key of the H/U.

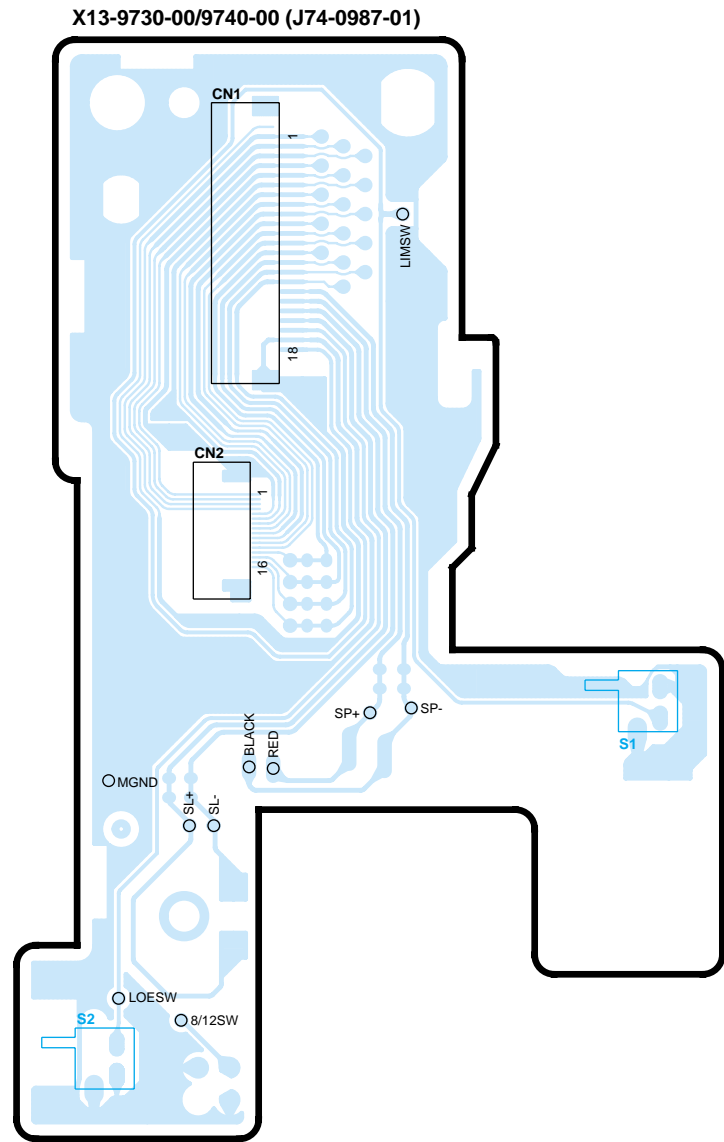
When the **REPEAT** key is pressed, the mechanism moves automatically to the 1st stage and the initial position adjustment completes. (The data is written in the E2PROM at this time.)



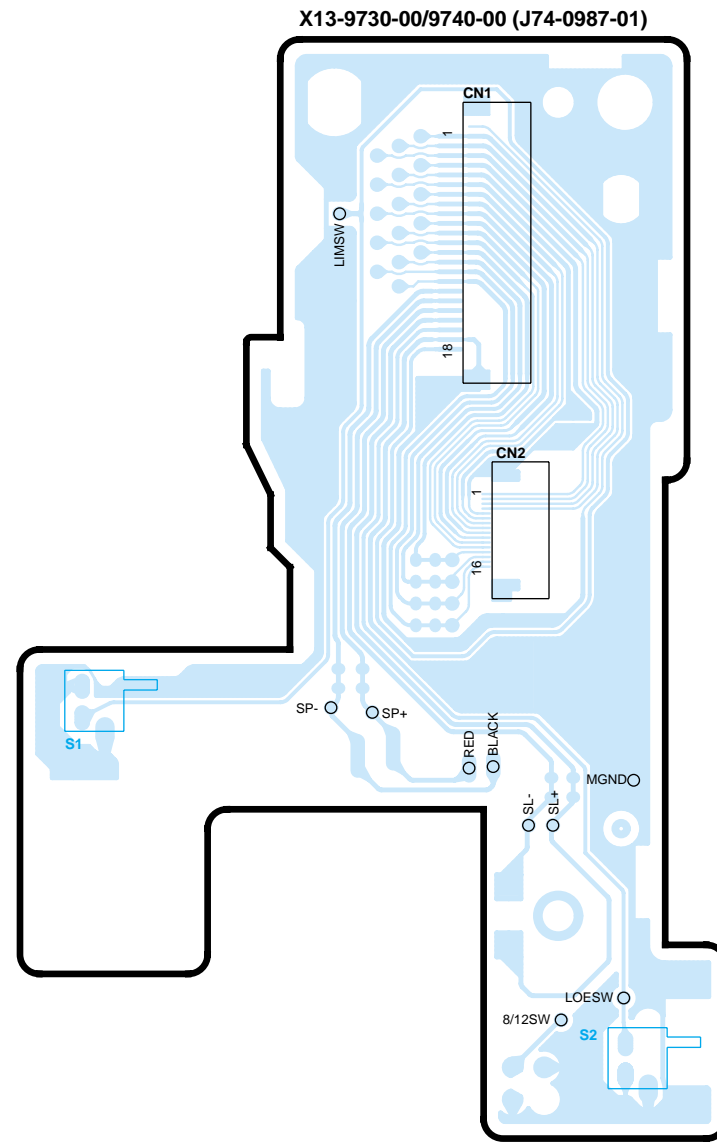
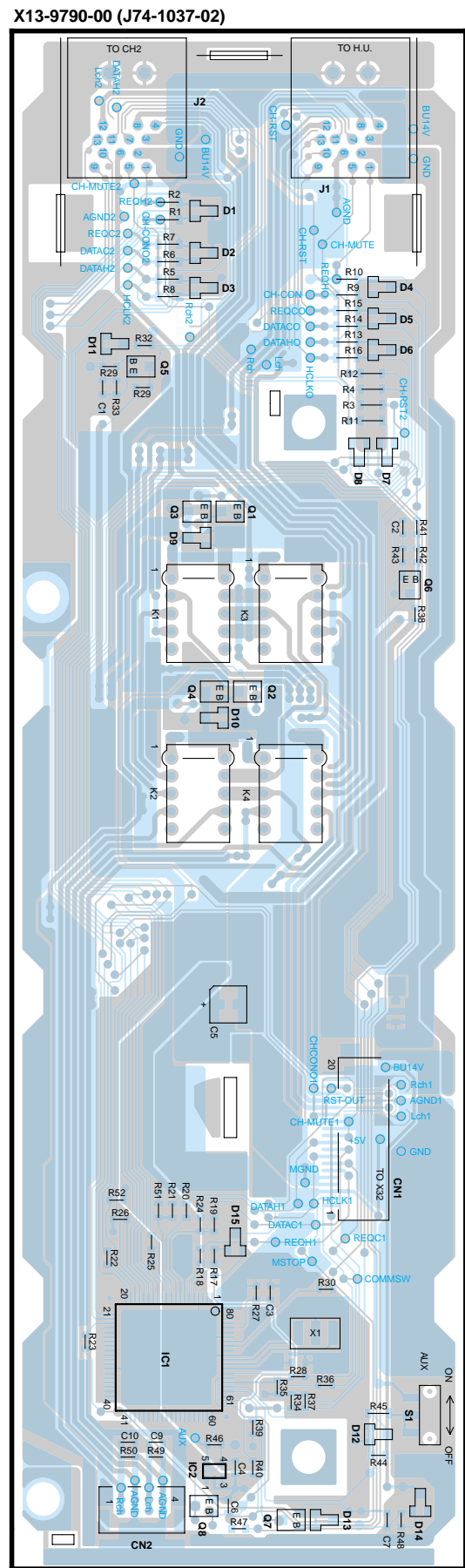


# PC BOARD (COMPONENT SIDE VIEW)

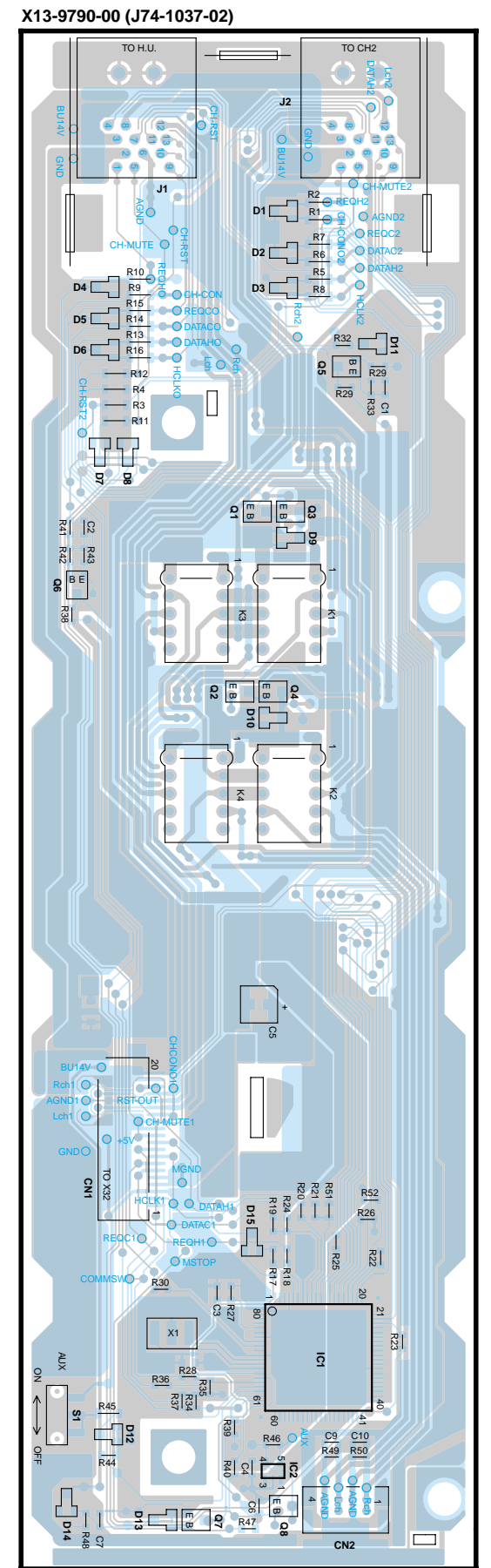
# (FOIL SIDE VIEW)



IC	Q	address
1		6D
2		7D
1		3D
2		4D
3		3D
4		4D
5		3D
6		3E
7		7E
8		7D

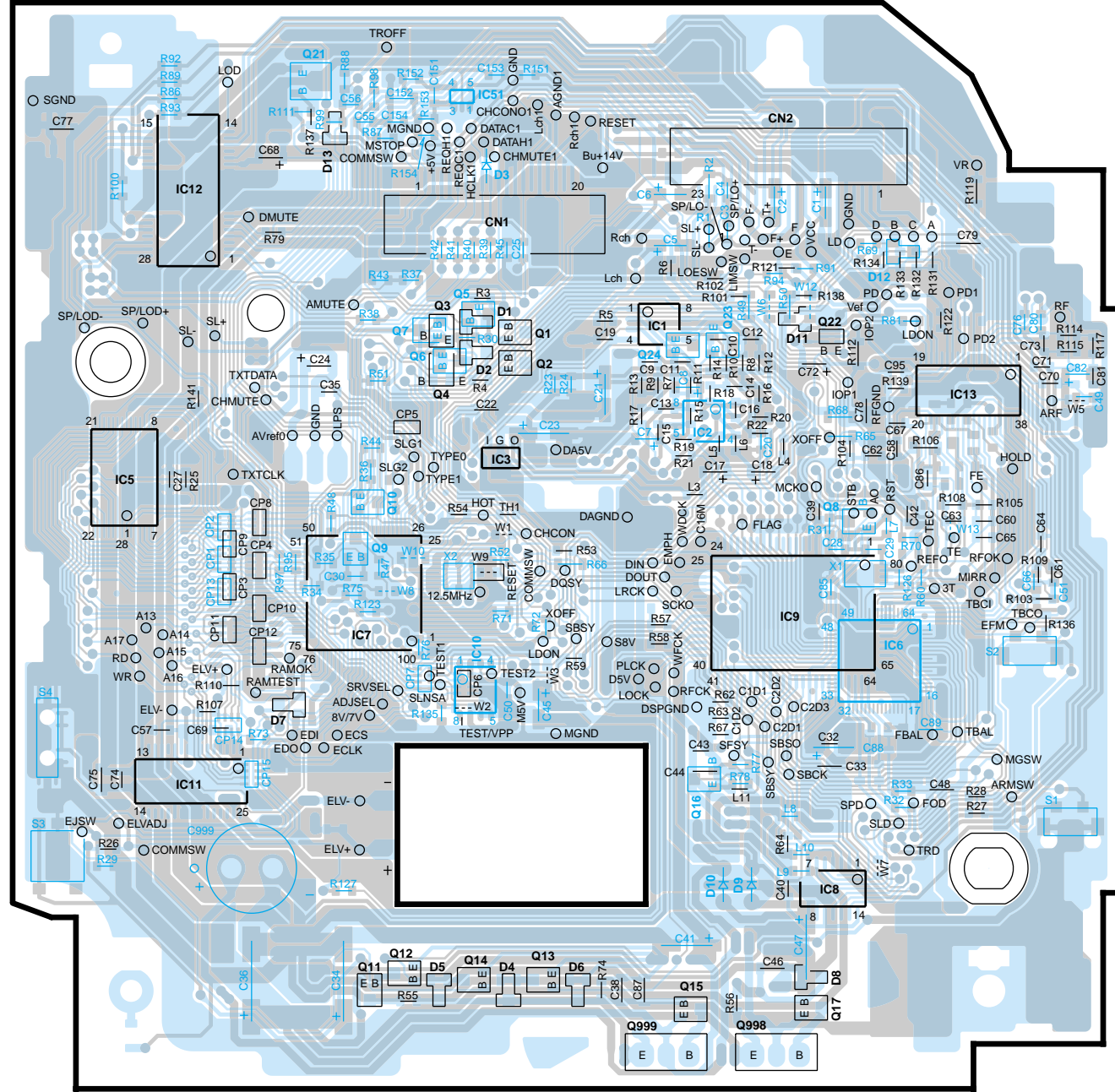


IC	Q	address
1		6J
2		7J
1		3J
2		4J
3		3J
4		4J
5		3J
6		3I
7		7I
8		7J



# PC BOARD (COMPONENT SIDE VIEW)

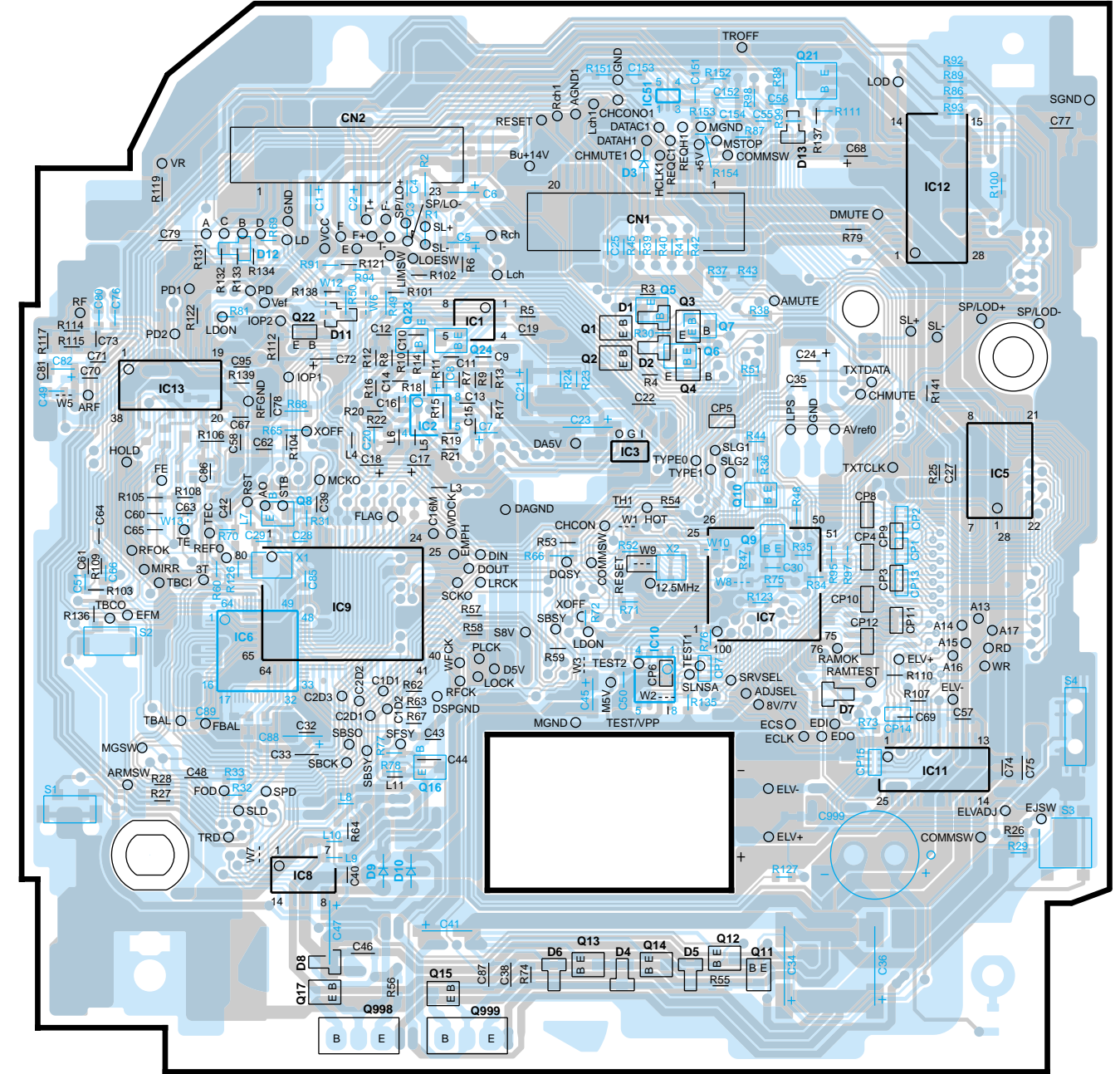
X32-4680-00 (J74-0988-01)



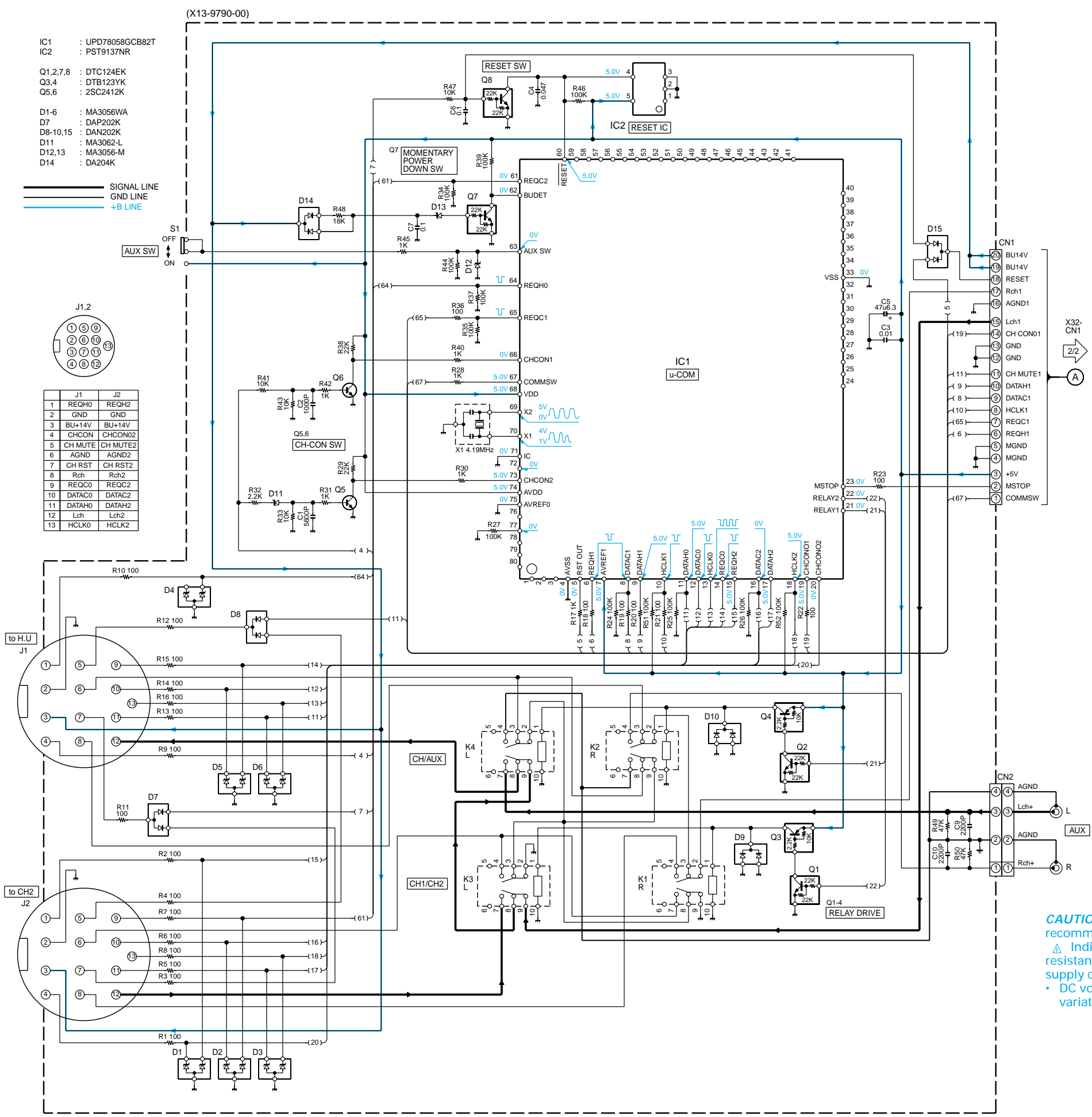
IC	1	2	3	5	6	7	8	9	10	11	12	13	51										
address	3M	3N	3M	3K	4N	4L	5N	4N	4M	4L	2L	3O	2M										
Q	1	2	3	4	5	6	7	8	9	10	11	12	13	14	15	16	17	21	22	23	24	998	999
address	3M	3M	3M	3M	3M	3L	3N	3L	3L	5L	5L	5M	5M	5N	4N	5N	2L	3N	3N	3M	5N	5M	

# (FOIL SIDE VIEW)

X32-4680-00 (J74-0988-01)

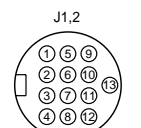


IC	1	2	3	5	6	7	8	9	10	11	12	13	51										
address	3R	3Q	3R	3T	4Q	4S	5Q	4Q	4R	4S	2S	3P	2R										
Q	1	2	3	4	5	6	7	8	9	10	11	12	13	14	15	16	17	21	22	23	24	998	999
address	3R	3R	3R	3R	3R	3R	3S	3Q	3S	3S	5S	5S	5R	5R	5Q	4Q	5Q	2S	3Q	3Q	3R	5Q	5R



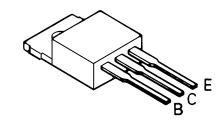
- IC1 : UPD78058GCB82T  
 IC2 : PST9137NR
- Q1,2,7,8 : DTC124EK  
 Q3,4 : DTB123YK  
 Q5,6 : 2SC2412K
- D1-6 : MA3056WA  
 D7 : DAP202K  
 D8-10,15 : DAN202K  
 D11 : MA3062-L  
 D12,13 : MA3056-M  
 D14 : DA204K

— SIGNAL LINE  
 — GND LINE  
 — +B LINE

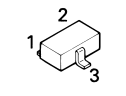


J1	J2
1	REQH0
2	GND
3	BU+14V
4	CHCON
5	CH MUTE
6	AGND
7	CH RST
8	Rch
9	REQC0
10	DATA0
11	DATAH0
12	Lch
13	HCLK0

2SB1565

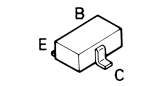
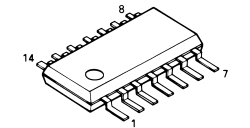


DAP202K  
 DA204K

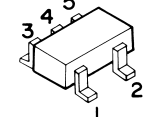


DTA114EK DTA124EK  
 DTA143EK DTB123YK  
 DTC124EK 2SA1362  
 2SC2412K 2SD2114K

LC89170M

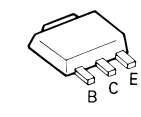


PST9137NR

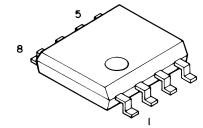


BR93LC46AF

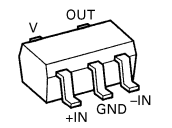
2SB1188



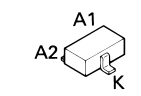
NJM4565MD  
 NJM5532MD



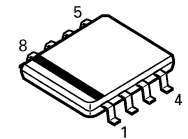
NJM2107F



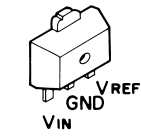
DAN202K



AK93C45AF

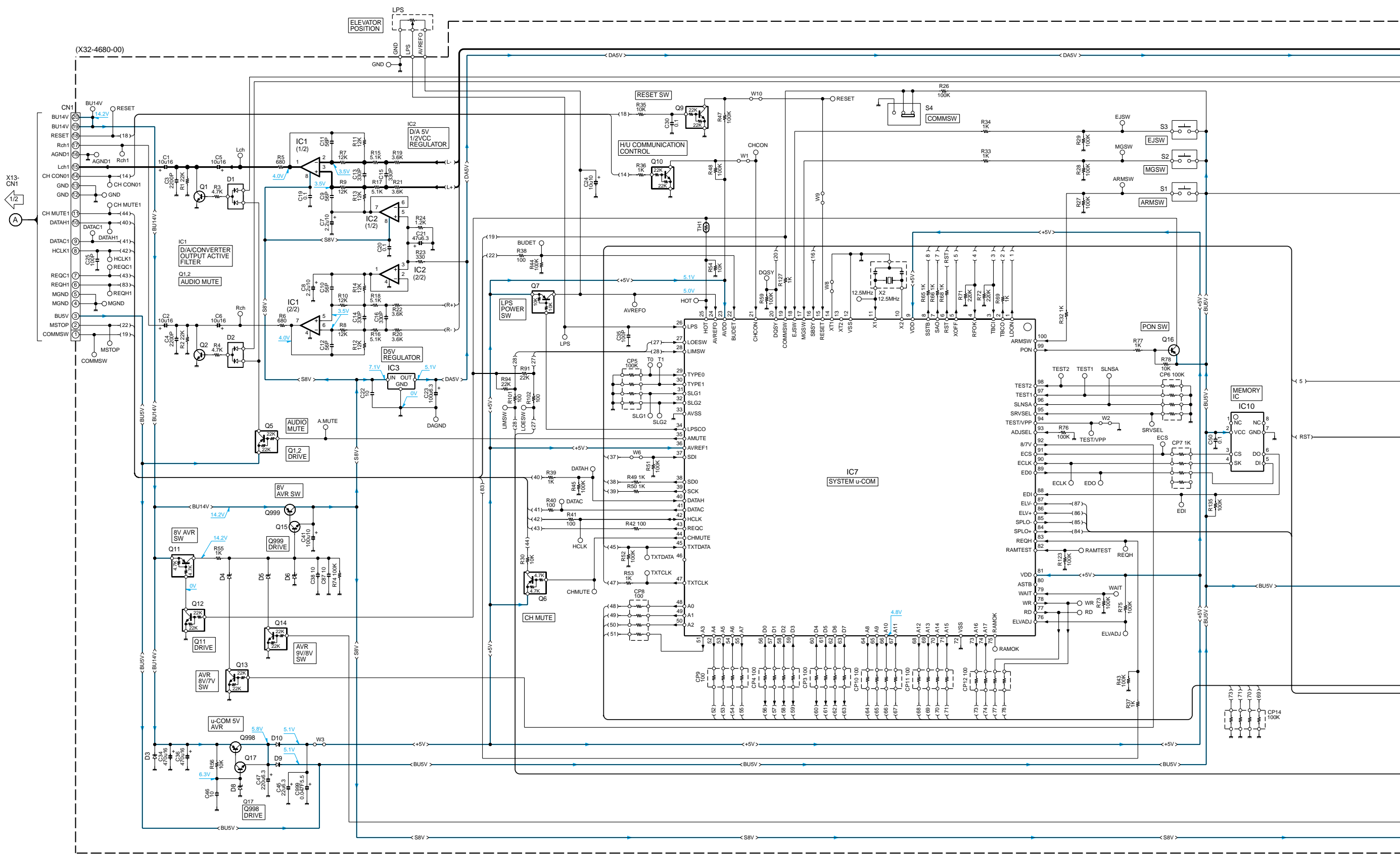


TA78L05F

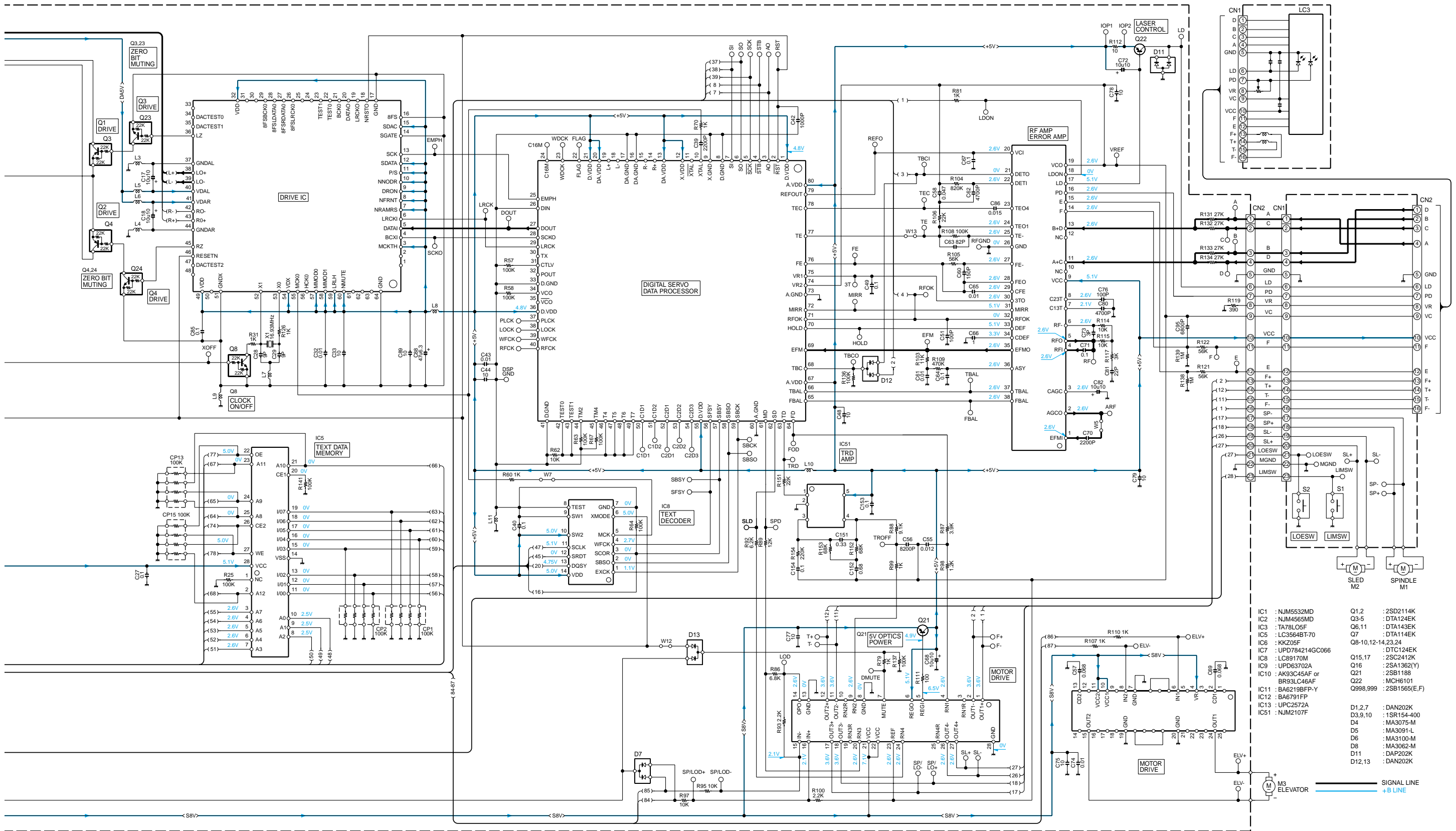


**CAUTION :** For continued safety, replace safety critical components only with manufacturer's recommended parts (refer to parts list).  
 ⚠ Indicates safety critical components. To reduce the risk of electric shock, leakage-current or resistance measurements shall be carried out (exposed parts are acceptably insulated from the supply circuit) before the appliance is returned to the customer.  
 • DC voltages are as measured with a high impedance voltmeter. Values may vary slightly due to variations between individual instruments or/and units.

# KDC-CX85/CPS85



**CAUTION:** For continued safety, replace safety critical components only with manufacturer's recommended parts (refer to parts list).  
 ⚠ Indicates safety critical components. To reduce the risk of electric shock, leakage-current or resistance measurements shall be carried out (exposed parts are acceptably insulated from the supply circuit) before the appliance is returned to the customer.  
 • DC voltages are as measured with a high impedance voltmeter. Values may vary slightly due to variations between individual instruments or/and units.



- |      |                           |                   |                |
|------|---------------------------|-------------------|----------------|
| IC1  | : NJM5532MD               | Q1,2              | : 2SD2114K     |
| IC2  | : NJM4565MD               | Q3-5              | : DTA124EK     |
| IC3  | : TA78L05F                | Q6,11             | : DTA143EK     |
| IC5  | : LC3564B-70              | Q7                | : DTA114EK     |
| IC6  | : KC205F                  | Q8-10,12-14,23,24 |                |
| IC7  | : UPD784214GC066          |                   | : DTC124EK     |
| IC8  | : LC89170M                | Q15,17            | : 2SC2412K     |
| IC9  | : UPD63702A               | Q16               | : 2SA1362(Y)   |
| IC10 | : AK93C45AF or BR93LC46AF | Q21               | : 2SB1188      |
| IC11 | : BA6219FP-FY             | Q22               | : MCH8101      |
| IC12 | : BA6791FP                | Q99,999           | : 2SB1565(E,F) |
| IC13 | : UPC2572A                |                   |                |
| IC51 | : NJM2107F                |                   |                |
- 
- |         |              |
|---------|--------------|
| D1,2,7  | : DAN202K    |
| D3,9,10 | : 1SR154-400 |
| D4      | : MA3075-M   |
| D5      | : MA3091-L   |
| D6      | : MA3100-M   |
| D8      | : MA3062-M   |
| D11     | : DAF202K    |
| D12,13  | : DAN202K    |

— SIGNAL LINE  
— +B LINE

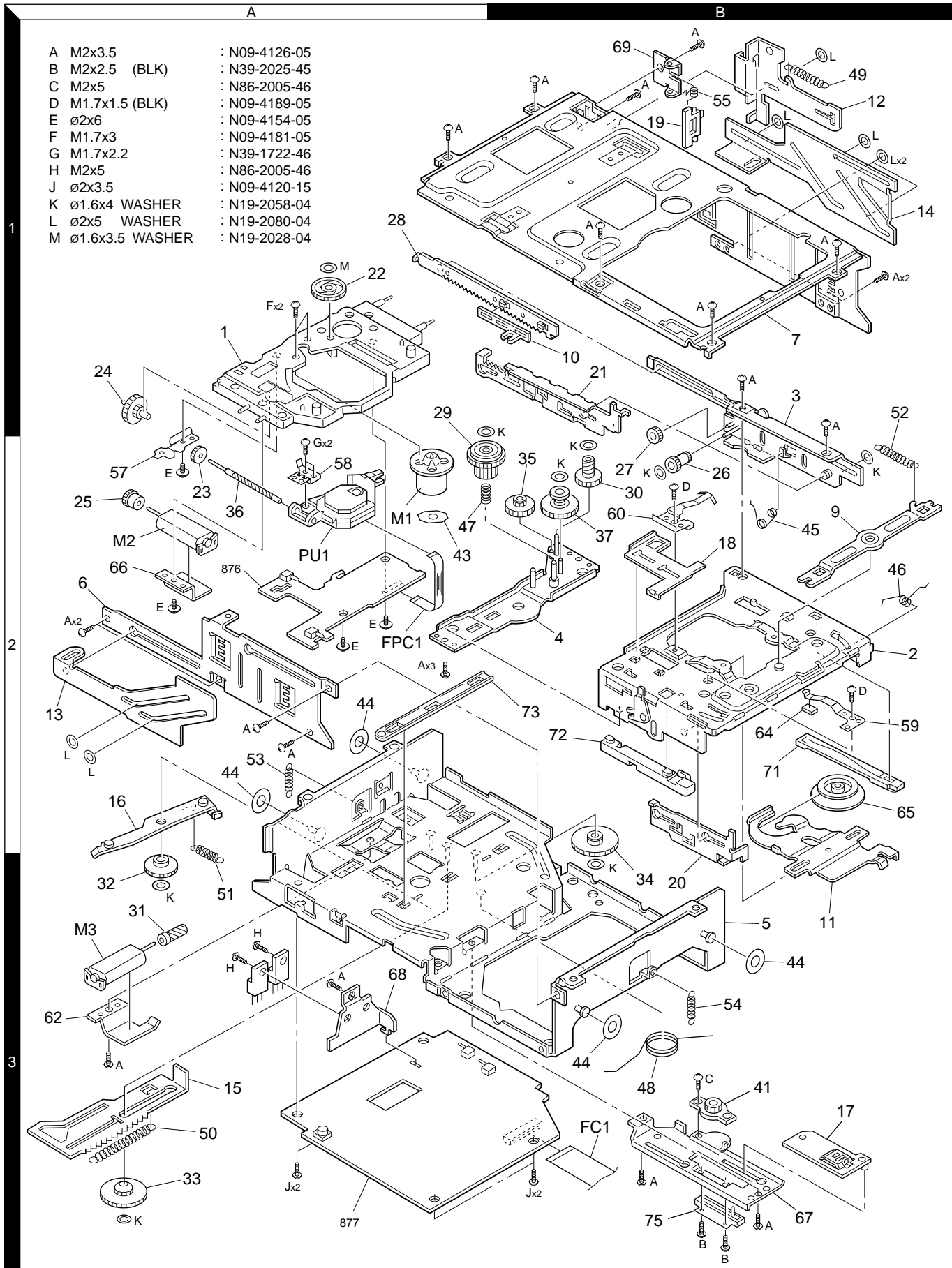
# KDC-CX85/CPS85

KENWOOD

# KDC-CX85/CPS85

## EXPLODED VIEW (MECHANISM)

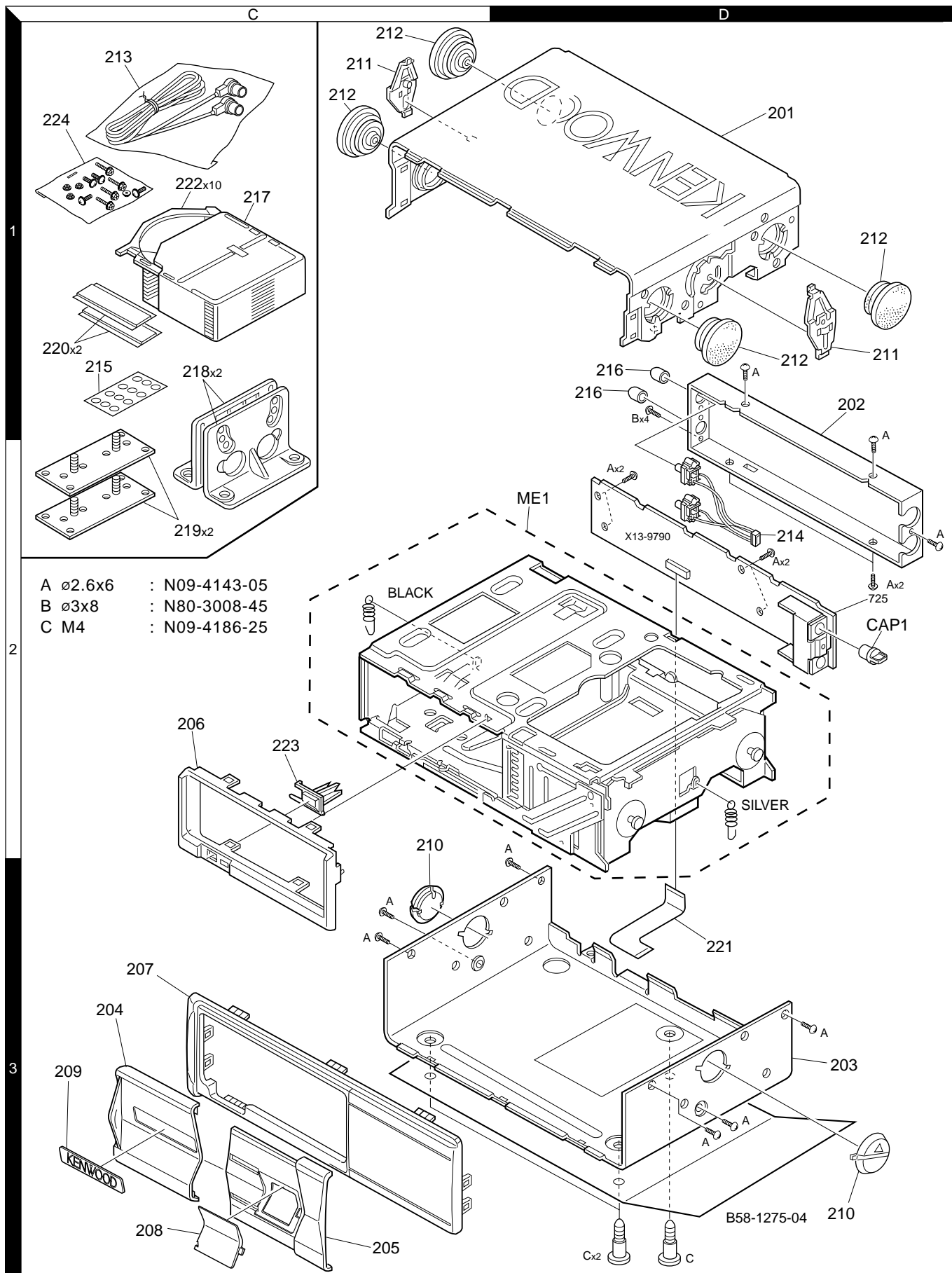
- |   |                 |   |             |
|---|-----------------|---|-------------|
| A | M2x3.5          | : | N09-4126-05 |
| B | M2x2.5 (BLK)    | : | N39-2025-45 |
| C | M2x5            | : | N86-2005-46 |
| D | M1.7x1.5 (BLK)  | : | N09-4189-05 |
| E | ø2x6            | : | N09-4154-05 |
| F | M1.7x3          | : | N09-4181-05 |
| G | M1.7x2.2        | : | N39-1722-46 |
| H | M2x5            | : | N86-2005-46 |
| J | ø2x3.5          | : | N09-4120-15 |
| K | ø1.6x4 WASHER   | : | N19-2058-04 |
| L | ø2x5 WASHER     | : | N19-2080-04 |
| M | ø1.6x3.5 WASHER | : | N19-2028-04 |



Parts with the exploded numbers larger than 700 are not supplied.

# KDC-CX85/CPS85

## EXPLODED VIEW (UNIT)



# KDC-CX85/CPS85

## PARTS LIST

\*New Parts

Parts without **Parts No.** are not supplied.

Les articles non mentionnes dans le **Parts No.** ne sont pas fournis.

Teile ohne **Parts No.** werden nicht geliefert.

KDC-CX85/CPS85

SUB-CIRCUIT UNIT (X13-9730-00)

SUB-CIRCUIT UNIT (X13-9790-00)

Ref. No.	Add	New	Parts No.	Description	Destination
<b>KDC-CX85/CPS85</b>					
201	1D		A01-2653-01	METALLIC CABINET	M1E1
201	1D		A01-2662-01	METALLIC CABINET	K1
202	2D		A01-2663-22	METALLIC CABINET	K1
202	2D		A01-2672-02	METALLIC CABINET	M1E1
203	3D		A10-4408-13	CHASSIS ASSY	K1
203	3D		A10-4594-03	CHASSIS ASSY	M1E1
204	3C	*	A21-3535-12	DRESSING PANEL	K1
204	3C	*	A21-3544-12	DRESSING PANEL	M1E1
205	3C	*	A21-3538-12	DRESSING PANEL	K1
205	3C	*	A21-3545-12	DRESSING PANEL	M1E1
206	2C		A22-2259-12	SUB PANEL	M1E1
206	2C		A22-2260-12	SUB PANEL	K1
207	3C	*	A64-1991-01	PANEL	K1
207	3C	*	A64-1993-01	PANEL	M1E1
208	3C	*	B10-2997-04	FRONT GLASS	M1E1
208	3C	*	B10-3076-04	FRONT GLASS	K1
209	3C		B43-1237-04	KENWOOD BADGE	M1E1
209	3C		B43-1238-04	KENWOOD BADGE	K1
-			B46-0100-50	WARRANTY CARD	
-			B46-0182-14	ID CARD	E1
-			B46-0631-03	USER CARD	K1
-			B58-1275-04	CAUTION CARD	
-			B58-1285-04	CAUTION CARD (O-SWIT SW)	
-		*	B64-1568-00	INSTRUCTION MANUAL E,F,S,P	K1E1
-		*	B64-1571-00	INSTRUCTION MANUAL E,T	M1
-		*	B64-1574-00	INSTRUCTION MANUAL G,D,I	E1
-		*	B64-1593-00	INSTRUCTION MANUAL ARA	M1
210	3D		D10-4204-03	ARM	
211	1C		D10-4033-14	LEVER	
212	1D		D39-0226-03	DAMPER	
213	1C		E30-4138-05	CORD WITH PLUG	
214	2D		E30-4507-15	AUDIO CORD	
215	1C		F19-1303-04	BLIND PLATE	
216	1D		F29-0049-05	INSULATING COVER	
CAP1	2D		F09-1251-05	CAP	
-			H02-0814-13	INNER CARTON CASE	
-			H10-4568-02	POLYSTYRENE FOAMED FIXTURE	
-			H13-1706-04	CARTON BOARD	
-			H25-0337-04	PROTECTION BAG (180X300X0.03)	
-			H25-1115-04	PROTECTION BAG	
-		*	H54-1690-04	ITEM CARTON CASE K1	
-		*	H54-1693-04	ITEM CARTON CASE M1E1	
217	1C		J19-4676-52	HOLDER ASSY	
218	1C		J19-4712-13	BRACKET	
219	1C		J21-7775-04	MOUNTING HARDWARE ASSY	M1
220	1C		J69-0506-04	ADHESIVE TAPE	M1
221	3D		J84-0064-15	FLEXIBLE PRINTED WIRING BOARD	
222	1C		J99-0604-21	TRAY	
223	2C		K24-1770-04	KNOB	

Ref. No.	Add	New	Parts No.	Description	Destination
224	1C		N99-1628-15	SCREW SET	M1
224	1C		N99-1645-15	SCREW SET	K1E1
A	2D		N09-4143-05	TAPTITE SCREW (2.6X6)	
A	2D		N89-2606-45	BINDING HEAD TAPTITE SCREW	K1
B	1D		N80-3008-41	PAN HEAD TAPTITE SCREW	M1E1
B	1D		N80-3008-45	PAN HEAD TAPTITE SCREW	K1
C	3D		N09-4186-25	STEPPED SCREW	
ME1	2C	*	X92-3630-02	MECHANISM ASSY	
<b>SUB-CIRCUIT UNIT (X13-9730-00)</b>					
CN1			E40-9487-05	FLAT CABLE CONNECTOR	
CN2			E40-9536-05	FLAT CABLE CONNECTOR	
S1 ,2			S74-0811-05	MICRO SWITCH	
<b>SUB-CIRCUIT UNIT (X13-9790-00)</b>					
C1			CK73FB1H562K	CHIP C 5600PF K	
C2			CK73FB1H102K	CHIP C 1000PF K	
C3			CK73FB1H103K	CHIP C 0.010UF K	
C4			CK73FB1H473K	CHIP C 0.047UF K	
C5			C92-1389-05	ELECTRO 47UF 6.3WV	
C6 ,7			CK73FB1C104K	CHIP C 0.10UF K	
C9 ,10			CK73FB1H222K	CHIP C 2200PF K	
CN1			E40-9252-05	FLAT CABLE CONNECTOR	
CN2			E40-9617-05	PIN ASSY	
J1 ,2			E56-0809-05	CYLINDRICAL RECEPTACLE	
X1			L78-0529-05	RESONATOR	
R1 -16			RK73EB2B101J	CHIP R 100 J 1/8W	
R17			RK73FB2A102J	CHIP R 1.0K J 1/10W	
R18 -23			RK73FB2A101J	CHIP R 100 J 1/10W	
R24 -27			RK73FB2A104J	CHIP R 100K J 1/10W	
R28			RK73FB2A102J	CHIP R 1.0K J 1/10W	
R29			RK73FB2A223J	CHIP R 22K J 1/10W	
R30 ,31			RK73FB2A102J	CHIP R 1.0K J 1/10W	
R32			RK73FB2A222J	CHIP R 2.2K J 1/10W	
R33			RK73FB2A103J	CHIP R 10K J 1/10W	
R34 ,35			RK73FB2A104J	CHIP R 100K J 1/10W	
R36			RK73FB2A101J	CHIP R 100 J 1/10W	
R37			RK73FB2A104J	CHIP R 100K J 1/10W	
R38			RK73FB2A223J	CHIP R 22K J 1/10W	
R39			RK73FB2A104J	CHIP R 100K J 1/10W	
R40			RK73FB2A102J	CHIP R 1.0K J 1/10W	
R41			RK73FB2A103J	CHIP R 10K J 1/10W	
R42			RK73FB2A102J	CHIP R 1.0K J 1/10W	
R43			RK73FB2A103J	CHIP R 10K J 1/10W	
R44			RK73FB2A104J	CHIP R 100K J 1/10W	
R45			RK73EB2B102J	CHIP R 1.0K J 1/8W	
R46			RK73FB2A104J	CHIP R 100K J 1/10W	
R47			RK73FB2A103J	CHIP R 10K J 1/10W	
R48			RK73FB2A183J	CHIP R 18K J 1/10W	
R49 ,50			RK73FB2A473J	CHIP R 47K J 1/10W	
R51 ,52			RK73FB2A104J	CHIP R 100K J 1/10W	
K1 -4			S76-0807-05	MAGNETIC RELAY	
S1			S62-0857-05	SLIDE SWITCH	

K1:KDC-CX85 M1:KDC-CPS85 E1:KDC-CPS85



# KDC-CX85/CPS85

## PARTS LIST

\*New Parts

Parts without **Parts No.** are not supplied.

Les articles non mentionnés dans le **Parts No.** ne sont pas fournis.

Teile ohne **Parts No.** werden nicht geliefert.

**SUB-CIRCUIT UNIT (X13-9790-00)**  
**CD PLAYER UNIT (X32-4680-00)**

Ref. No.	Add	New	Parts No.	Description	Destination
D1 -6			MA3056WA	ZENER DIODE	
D7			DAP202K	DIODE	
D8 -10			DAN202K	DIODE	
D11			MA3062-L	ZENER DIODE	
D12 ,13			MA3056-M	ZENER DIODE	
D14			DA204K	DIODE	
D15			DAN202K	DIODE	
IC1			UPD78058GCB82T	MI-COM IC	
IC2			PST9137NR	ANALOGUE IC	
Q1 ,2			DTC124EK	DIGITAL TRANSISTOR	
Q3 ,4			DTB123YK	DIGITAL TRANSISTOR	
Q5 ,6			2SC2412K	TRANSISTOR	
Q7 ,8			DTC124EK	DIGITAL TRANSISTOR	
<b>CD PLAYER UNIT (X32-4680-00)</b>					
C1 ,2			C92-1393-05	ELECTRO 10UF 16WV	
C3 ,4			C93-1044-05	CERAMIC 2200PF K	
C5 ,6			C92-1393-05	ELECTRO 10UF 16WV	
C7 ,8			C92-0514-05	CHIP-TAN 2.2UF 10WV	
C9 -12			CC73FCH1H560J	CHIP C 56PF J	
C13 -16			CK73FB1H331K	CHIP C 330PF K	
C17 ,18			C92-0628-05	CHIP-TAN 10UF 10WV	
C19 ,20			CK73FB1C104K	CHIP C 0.10UF K	
C21			C92-1389-05	ELECTRO 47UF 6.3WV	
C22			C93-1099-05	CERAMIC 10UF K	
C23			C92-1390-05	ELECTRO 100UF 6.3WV	
C24			C92-0628-05	CHIP-TAN 10UF 10WV	
C25			CC73FCH1H101J	CHIP C 100PF J	
C27			CK73FB1C104K	CHIP C 0.10UF K	
C28 ,29			CC73FCH1H090D	CHIP C 9.0PF D	
C30			CK73FB1C104K	CHIP C 0.10UF K	
C32			CK73FB1H103K	CHIP C 0.010UF K	
C33			C93-1099-05	CERAMIC 10UF K	
C34			C92-1388-05	ELECTRO 470UF 16WV	
C35			CC73FCH1H101J	CHIP C 100PF J	
C36			C92-1388-05	ELECTRO 470UF 16WV	
C38			C93-1099-05	CERAMIC 10UF K	
C39			CK73FB1H222K	CHIP C 2200PF K	
C40			CK73FB1C104K	CHIP C 0.10UF K	
C41			C92-1392-05	ELECTRO 100UF 10WV	
C42			CK73FB1H102K	CHIP C 1000PF K	
C43			CK73FB1H103K	CHIP C 0.010UF K	
C44			C93-1099-05	CERAMIC 10UF K	
C45			C92-1395-05	ELECTRO 22UF 6.3WV	
C46			C93-1099-05	CERAMIC 10UF K	
C47			C92-1391-05	ELECTRO 220UF 6.3WV	
C48			C93-1099-05	CERAMIC 10UF K	
C49 ,50			CK73FB1C104K	CHIP C 0.10UF K	
C51			CC73FCH1H101J	CHIP C 100PF J	
C55			CK73FB1H123K	CHIP C 0.012UF K	
C56			CK73FB1H822K	CHIP C 8200PF K	
C57			CK73FB1E683K	CHIP C 0.068UF K	
C58			CK73FB1H473K	CHIP C 0.047UF K	
C60			CC73FCH1H151J	CHIP C 150PF J	
C61			CK73FB1H103K	CHIP C 0.010UF K	

Ref. No.	Add	New	Parts No.	Description	Destination
C62			CK73FB1H472K	CHIP C 4700PF K	
C63			CC73FCH1H820J	CHIP C 82PF J	
C64			CK73FB1C104K	CHIP C 0.10UF K	
C65			CK73FB1H103K	CHIP C 0.010UF K	
C66			CK73FB1A105K	CHIP C 1.0UF K	
C67			CK73FB1C104K	CHIP C 0.10UF K	
C68			C92-0628-05	CHIP-TAN 10UF 10WV	
C69			CK73FB1E683K	CHIP C 0.068UF K	
C70			CK73FB1H222K	CHIP C 2200PF K	
C71			CK73FB1C104K	CHIP C 0.10UF K	
C72			C92-0628-05	CHIP-TAN 10UF 10WV	
C73			CC73FCH1H030C	CHIP C 3.0PF C	
C74			CK73FB1H103K	CHIP C 0.010UF K	
C75			C93-1099-05	CERAMIC 10UF K	
C76			CC73FCH1H101J	CHIP C 100PF J	
C77 -79			C93-1099-05	CERAMIC 10UF K	
C80			CK73FB1H472K	CHIP C 4700PF K	
C81			CC73FCH1H220J	CHIP C 22PF J	
C82			C92-0628-05	CHIP-TAN 10UF 10WV	
C85			CK73FB1C104K	CHIP C 0.10UF K	
C86			CK73FB1H153K	CHIP C 0.015UF K	
C87			C93-1099-05	CERAMIC 10UF K	
C88			C92-1389-05	ELECTRO 47UF 6.3WV	
C89			C93-1099-05	CERAMIC 10UF K	
C95			CK73FB1H682K	CHIP C 6800PF K	
C151			CK73FB1C334K	CHIP C 0.33UF K	
C152			CK73EB1C684K	CHIP C 0.68UF K	
C153,154			CK73FB1C104K	CHIP C 0.10UF K	
CN1			E40-9858-05	FLAT CABLE CONNECTOR	
CN2			E40-9338-05	FLAT CABLE CONNECTOR	
L3 -11			L92-0314-05	CHIP FERRITE	
X1			L77-2081-05	CRYSTAL RESONATOR	
X2			L78-0568-05	RESONATOR	
CP1 ,2			R90-0720-05	MULTI-COMP 100K X4	
CP3 ,4			R90-1014-05	MULTI-COMP 100 X4	
CP5 ,6			R90-0720-05	MULTI-COMP 100K X4	
CP7			R90-0724-05	MULTI-COMP 1K X4	
CP8 -12			R90-1014-05	MULTI-COMP 100 X4	
CP13-15			R90-0720-05	MULTI-COMP 100K X4	
R1 ,2			RK73EB2B223J	CHIP R 22K J 1/8W	
R3 ,4			RK73FB2A472J	CHIP R 4.7K J 1/10W	
R5 ,6			RK73FB2A681J	CHIP R 680 J 1/10W	
R7 -14			RK73FB2A123J	CHIP R 12K J 1/10W	
R15 -18			RK73FB2A512J	CHIP R 5.1K J 1/10W	
R19 -22			RK73FB2A362J	CHIP R 3.6K J 1/10W	
R23			RK73FB2A331J	CHIP R 330 J 1/10W	
R24			RK73FB2A122J	CHIP R 1.2K J 1/10W	
R25 -29			RK73FB2A104J	CHIP R 100K J 1/10W	
R30			RK73FB2A103J	CHIP R 10K J 1/10W	
R31 -34			RK73FB2A102J	CHIP R 1.0K J 1/10W	
R35			RK73FB2A103J	CHIP R 10K J 1/10W	
R36 ,37			RK73FB2A102J	CHIP R 1.0K J 1/10W	
R38			RK73FB2A101J	CHIP R 100 J 1/10W	

K1:KDC-CX85 M1:KDC-CPS85 E1:KDC-CPS85

# KDC-CX85/CPS85

## PARTS LIST

\*New Parts

Parts without **Parts No.** are not supplied.

Les articles non mentionnes dans le **Parts No.** ne sont pas fournis.

Teile ohne **Parts No.** werden nicht geliefert.

### CD PLAYER UNIT (X32-4680-00)

Ref. No.	Add	New	Parts No.	Description	Destination
R39			RK73FB2A102J	CHIP R 1.0K J 1/10W	
R40 -42			RK73FB2A101J	CHIP R 100 J 1/10W	
R43 -45			RK73FB2A104J	CHIP R 100K J 1/10W	
R47 ,48			RK73FB2A104J	CHIP R 100K J 1/10W	
R49 ,50			RK73EB2B102J	CHIP R 1.0K J 1/8W	
R51 ,52			RK73FB2A104J	CHIP R 100K J 1/10W	
R53			RK73FB2A102J	CHIP R 1.0K J 1/10W	
R54			RK73FB2A103J	CHIP R 10K J 1/10W	
R55			RK73FB2A102J	CHIP R 1.0K J 1/10W	
R56			RK73FB2A103J	CHIP R 10K J 1/10W	
R57 -59			RK73FB2A104J	CHIP R 100K J 1/10W	
R60			RK73FB2A102J	CHIP R 1.0K J 1/10W	
R62			RK73FB2A103J	CHIP R 10K J 1/10W	
R63 ,64			RK73FB2A104J	CHIP R 100K J 1/10W	
R65 ,66			RK73EB2B102J	CHIP R 1.0K J 1/8W	
R67			RK73FB2A104J	CHIP R 100K J 1/10W	
R68			RK73EB2B102J	CHIP R 1.0K J 1/8W	
R69 ,70			RK73FB2A102J	CHIP R 1.0K J 1/10W	
R71 ,72			RK73FB2A224J	CHIP R 220K J 1/10W	
R73 -76			RK73FB2A104J	CHIP R 100K J 1/10W	
R77			RK73FB2A102J	CHIP R 1.0K J 1/10W	
R78			RK73FB2A103J	CHIP R 10K J 1/10W	
R79			RK73FB2A102J	CHIP R 1.0K J 1/10W	
R81			RK73FB2A102J	CHIP R 1.0K J 1/10W	
R86			RK73FB2A682J	CHIP R 6.8K J 1/10W	
R87			RK73FB2A392J	CHIP R 3.9K J 1/10W	
R88			RK73FB2A912J	CHIP R 9.1K J 1/10W	
R89			RK73FB2A123J	CHIP R 12K J 1/10W	
R91			RK73FB2A223J	CHIP R 22K J 1/10W	
R92			RK73FB2A622J	CHIP R 6.2K J 1/10W	
R93			RK73FB2A222J	CHIP R 2.2K J 1/10W	
R94			RK73FB2A223J	CHIP R 22K J 1/10W	
R95			RK73FB2A103J	CHIP R 10K J 1/10W	
R97			RK73FB2A103J	CHIP R 10K J 1/10W	
R98			RK73FB2A122J	CHIP R 1.2K J 1/10W	
R99			RK73FB2A102J	CHIP R 1.0K J 1/10W	
R100			RK73FB2A222J	CHIP R 2.2K J 1/10W	
R101,102			RK73FB2A101J	CHIP R 100 J 1/10W	
R103			RK73FB2A113J	CHIP R 11K J 1/10W	
R104			RK73FB2A824J	CHIP R 820K J 1/10W	
R105			RK73FB2A563J	CHIP R 56K J 1/10W	
R106			RK73EB2B223J	CHIP R 22K J 1/8W	
R107			RK73FB2A102J	CHIP R 1.0K J 1/10W	
R108			RK73FB2A104J	CHIP R 100K J 1/10W	
R109			RK73FB2A474J	CHIP R 470K J 1/10W	
R110			RK73FB2A102J	CHIP R 1.0K J 1/10W	
R111			RK73FB2A101J	CHIP R 100 J 1/10W	
R112			RK73EB2B100J	CHIP R 10 J 1/8W	
R114,115			RK73FB2A103J	CHIP R 10K J 1/10W	
R117			RK73FB2A302J	CHIP R 3.0K J 1/10W	
R119			RK73EB2B391J	CHIP R 390 J 1/8W	
R121,122			RK73FB2A563J	CHIP R 56K J 1/10W	
R123			RK73FB2A104J	CHIP R 100K J 1/10W	
R126,127			RK73FB2A102J	CHIP R 1.0K J 1/10W	
R131-134			RK73FB2A273J	CHIP R 27K J 1/10W	

Ref. No.	Add	New	Parts No.	Description	Destination
R135-137			RK73FB2A104J	CHIP R 100K J 1/10W	
R138,139			RK73FB2A105J	CHIP R 1.0M J 1/10W	
R141			RK73FB2A104J	CHIP R 100K J 1/10W	
R151			RK73FB2A223J	CHIP R 22K J 1/10W	
R152,153			RK73FB2A683J	CHIP R 68K J 1/10W	
R154			RK73FB2A224J	CHIP R 220K J 1/10W	
W1 -3			R92-2052-05	CHIP R 0 J 1/10W	
W5			R92-2052-05	CHIP R 0 J 1/10W	
W6			R92-2053-05	CHIP R 0 J 1/8W	
W7 -9			R92-2052-05	CHIP R 0 J 1/10W	
W10			R92-2053-05	CHIP R 0 J 1/8W	
W12			R92-2053-05	CHIP R 0 J 1/8W	
W13			R92-2052-05	CHIP R 0 J 1/10W	
S1 ,2			S68-0823-05	PUSH SWITCH	
S3			S70-0838-05	TACT SWITCH	
S4			S62-0863-05	SLIDE SWITCH	
D1 ,2			DAN202K	DIODE	
D3			1SR154-400	DIODE	
D4			MA3075-M	ZENER DIODE	
D5			MA3091-L	ZENER DIODE	
D6			MA3100-M	ZENER DIODE	
D7			DAN202K	DIODE	
D8			MA3062-M	ZENER DIODE	
D9 ,10			1SR154-400	DIODE	
D11			DAP202K	DIODE	
D12 ,13			DAN202K	DIODE	
IC1			NJM5532MD	IC(OP AMP)	
IC2			NJM4565MD	IC(OP AMP X2)	
IC3			TA78L05F	IC(VOLTAGE REGULATOR/ +5V)	
IC5			LC3564BT-70	MEMORY IC	
IC6			KKZ05F	CUSTOM IC	
IC7			UPD784214GC066	MI-COM IC	
IC8			LC89170M	MOS-IC	
IC9			UPD63702A	MOS-IC	
IC10			AK93C45AF	MOS-IC	
IC10			BR93LC46AF	MOS-IC	
IC11			BA6219BFP-Y	ANALOGUE IC	
IC12			BA6791FP	ANALOGUE IC	
IC13			UPC2572A	ANALOGUE IC	
IC51			NJM2107F	ANALOGUE IC	
Q1 ,2			2SD2114K	TRANSISTOR	
Q3 -5			DTA124EK	DIGITAL TRANSISTOR	
Q6			DTA143EK	DIGITAL TRANSISTOR	
Q7			DTA114EK	DIGITAL TRANSISTOR	
Q8 -10			DTC124EK	DIGITAL TRANSISTOR	
Q11			DTA143EK	DIGITAL TRANSISTOR	
Q12 -14			DTC124EK	DIGITAL TRANSISTOR	
Q15			2SC2412K	TRANSISTOR	
Q16			2SA1362(Y)	TRANSISTOR	
Q17			2SC2412K	TRANSISTOR	
Q21			2SB1188	TRANSISTOR	
Q22			MCH6101	TRANSISTOR	
Q23 ,24			DTC124EK	DIGITAL TRANSISTOR	
Q998,999			2SB1565 (E,F)	TRANSISTOR	
TH1	3A		NTH5G20B333K07	THERMISTOR	

# KDC-CX85/CPS85

## PARTS LIST

\*New Parts

Parts without **Parts No.** are not supplied.

Les articles non mentionnes dans le **Parts No.** ne sont pas fournis.

Teile ohne **Parts No.** werden nicht geliefert.

### MECHANISM ASSY (X92-3630-02)

Ref. No.	A d d	N e w	Parts No.	Description	Dest inati on
<b>MECHANISM ASSY (X92-3630-02)</b>					
1	1A	*	A10-4700-13	CHASSIS ASSY	
2	2B		A10-4231-22	CHASSIS CALKING ASSY	
3	1B		A10-4233-63	CHASSIS CALKING ASSY	
4	2B		A10-4235-84	CHASSIS CALKING ASSY	
5	3B		A10-4237-32	CHASSIS CALKING ASSY	
6	2A		A10-4239-22	CHASSIS	
7	1B		A10-4240-82	CHASSIS CALKING ASSY	
C1			C90-2945-05	ELECTRO 0.047F 5.5WV	
9	2B		D10-4018-23	ARM	
10	1B		D10-4293-03	ARM	
11	2B		D10-4020-33	LEVER	
12	1B		D10-4022-34	ARM	
13	2A		D10-4023-14	SLIDER ASSY	
14	1B		D10-4025-03	SLIDER	
15	3A		D10-4026-03	LEVER	
16	2A		D10-4027-04	LEVER ASSY	
17	3B		D10-4029-04	SLIDER ASSY	
18	2B		D10-4032-13	SLIDER	
19	1B		D10-4137-03	LEVER	
20	2B		D12-0618-13	CAM	
21	1B		D12-0619-33	CAM	
22	1A		D13-1251-14	GEAR	
23	1A		D13-1252-04	GEAR	
24	1A		D13-1253-04	GEAR	
25	2A		D13-1254-04	GEAR	
26	2B		D13-1255-24	GEAR	
27	1B		D13-1256-04	GEAR	
28	1A		D13-1257-14	GEAR ASSY	
29	2A		D13-1259-04	GEAR	
30	2B		D13-1262-34	GEAR	
31	3A		D13-1263-04	WORM	
32	3A		D13-1264-04	GEAR	
33	3A		D13-1265-04	GEAR	
34	3B		D13-1266-04	GEAR	
35	2B		D13-1338-04	GEAR	
36	2A		D19-0614-24	LEAD SCREW	
37	2B		D19-0615-14	CLUTCH ASSY	
41	3B		D39-0225-05	DAMPER	
FC1	3B		E39-0172-15	FLAT CABLE	
43	2A		F09-1220-04	SHEET	
44	2A		F09-1245-04	SHEET	
45	2B		G01-2778-04	TORSION COIL SPRING	
46	2B		G01-2779-04	TORSION COIL SPRING	
47	2A		G01-2781-04	COMPRESSION SPRING	
48	3B		G01-2782-14	TORSION COIL SPRING	
49	1B		G01-2783-14	EXTENSION SPRING	
50	3A		G01-2784-04	EXTENSION SPRING	
51	3A		G01-2785-04	EXTENSION SPRING	
52	1B		G01-2789-14	EXTENSION SPRING	
53	2A		G01-2808-04	EXTENSION SPRING	
54	3B		G01-2809-14	EXTENSION SPRING	

Ref. No.	A d d	N e w	Parts No.	Description	Dest inati on
55	1B		G01-2814-24	TORSION COIL SPRING	
57	2A		G02-1235-24	FLAT SPRING	
58	1A		G02-1256-14	FLAT SPRING	
59	2B		G02-1237-13	FLAT SPRING	
60	2B		G02-1238-34	FLAT SPRING	
62	3A		G02-1240-04	FLAT SPRING	
64	2B		G10-1023-04	FELT	
65	2B		J11-0614-03	CLAMPER	
66	2A		J21-7695-04	MOUNTING HARDWARE	
67	3B		J21-7696-23	MOUNTING HARDWARE	
68	3A		J21-7698-14	MOUNTING HARDWARE	
69	1B		J21-7766-13	MOUNTING HARDWARE	
71	2B		J90-0777-23	GUIDE	
72	2B		J90-0759-03	GUIDE	
73	2B		J90-0760-03	RAIL	
FPC1	2A		J84-0099-05	FLEXIBLE PRINTED WIRING BOARD	
A	1B		N09-4126-05	MACHINE SCREW (2X3.5,tite,BLACK)	
B	3B		N09-4288-05	TAPTITE SCREW (2X2.5 Stite)	
C	3A		N86-2005-46	BINDING HEAD TAPTITE SCREW	
D	2B		N09-4189-05	TAPTITE SCREW (1.7X1.5(Stite)	
E	2A		N09-4154-05	TAPTITE SCREW	
F	1A		N09-4181-05	MACHINE SCREW (M1.7X3(ROCKtite)	
G	2A		N39-1722-46	PAN HEAD MACHIN SCREW	
J	2B		N19-2105-14	FLAT WASHER	
K	2B		N19-2058-04	FLAT WASHER	
L	1B		N19-2080-14	FLAT WASHER	
M	1A		N19-2028-04	FLAT WASHER	
75	3B		R33-0201-05	SLIDE TYPE VARIABLE RESISTOR	
M1	2A		T42-0797-04	MOTOR ASSY	
M2,3	3A		T42-0788-05	DC MOTOR	
PU1	2A		T25-0216-05	OPTICAL PICKUP HEAD	

K1:KDC-CX85 M1:KDC-CPS85 E1:KDC-CPS85

# KDC-CX85/CPS85

## SPECIFICATIONS

### CD section

Laser Diode .....	GaAIs (I=780nm)
Digital Filter(D/A) .....	8 Times Over Sampling
D/A Converter .....	1Bit
Spindle Speed .....	500~200rpm (CLV)
Wow & Flutter .....	Below Measurable Limit
Frequency Response .....	5Hz~20kHz ( $\pm 1$ dB)
Total Harmonic Distortion .....	0.005%(1kHz)
S/N Ratio(dB) .....	110dB
Dynamic Range .....	96dB
Channel Separation .....	96dB

### General

Operating Voltage .....	14.4V (11~16V allowable)
Current Consumption .....	0.8A at rated power
Installation Size (WxHxD) .....	250x80x202mm (9-13/16x3-1/8x7-15/16 in.)
Weight .....	2.3kg (5.1lbs)

---

**KENWOOD** follows a policy of continuous advancements in development. For this reason specifications may be changed without notice.

---

## KENWOOD CORPORATION

14-6, Dogenzaka 1-chome, Shibuya-ku, Tokyo 150-8501 Japan

### KENWOOD SERVICE CORPORATION

P.O. BOX 22745, 2201 East Dominguez Street, Long Beach, CA90801-5745, U.S.A.

### KENWOOD ELECTRONICS CANADA INC.

6070 Kestrel Road, Mississauga, Ontario, Canada L5T 1S8

### KENWOOD ELECTRONICS LATIN AMERICA S.A.

P.O. BOX 55-2791, Piso 6, Plaza Chase, Cl. 47 y, Aquilino de la Guardia, Panama, Republic of Panama

### KENWOOD ELECTRONICS BRASIL LTDA.

Av. Moema, 170-17, "Andar-Cobertura "B", Ed. Maximum Service Center, 04077-020 Moema, São Paulo-SP-Brasil

### KENWOOD ELECTRONICS UK LIMITED

Kenwood House, Dwight Road, Watford, Herts, WD1 8EB, United Kingdom

### KENWOOD ELECTRONICS DEUTSCHLAND GMBH

Rembrücker-Str. 15, 63150 Heusenstamm, Germany

### KENWOOD ELECTRONICS FRANCE S.A.

13, Boulevard Ney, 75018 Paris, France

### KENWOOD ELECTRONICS BELGIUM N.V.

Mechelsesteenweg 418, B-1930 Zaventem, Belgium

### KENWOOD ELECTRONICS ITALIA S.p.A.

Via G. Sirtori 7/9, 20129 Milano, Italy

### KENWOOD IBÉRICA S.A.

Bolivia, 239-08020 Barcelona, Spain

### KENWOOD ELECTRONICS AUSTRALIA PTY. LTD. (A.C.N. 001 499 074)

16 Giffnock Avenue, North Ryde, N.S.W. 2113, Australia

### KENWOOD ELECTRONICS (HONG KONG) LTD.

Unit 3712-3724, Level 37, Tower 1, Metroplaza, 223 Hing Fong Road, Kwai Fong, N.T., Hong Kong

### KENWOOD ELECTRONICS GULF FZE

P.O. Box 61318, Jebel Ali, Dubai, U.A.E.

### KENWOOD ELECTRONICS (THAILAND) CO., LTD.

2019 New Pechburi Road, Bangkapi, Huaykwang, Bangkok, 10320 Thailand

### KENWOOD ELECTRONICS SINGAPORE PTE. LTD.

1 Genting Lane, #07-00, Kenwood Building, Singapore, 349544

### KENWOOD ELECTRONICS (MALAYSIA) SDN BHD

#4.01 Level 4, Wisma Academy Lot 4A, Jalan 19/1, 46300 Petaling Jaya, Selangor Darul Ehsan, Malaysia